

# APPENDIX A

## SUMMARY OF PREFERRED SIZES

The materials and components are classified under the following:-

- (a) Doors and Windows
- (b) Precast Concrete Components
- (c) Rigid Sheet Materials
- (d) Ceiling Related Components
- (e) Flooring Materials

All dimension are given in millimetres unless stated otherwise.

### A.1 Doors And Windows

The coordinating dimensions include door and window frames.

#### A.1.1 Doors

Width : Multiples of **1M**.

Height : Multiples of **1M**.

(**0.5M** may be used as second preference for vertical increment)

#### A.1.2 Windows

Width : Multiples of **1M**.

Height : Multiples of **1M**.

(**0.5M** may be used as second preference for vertical increment)

## A.2 Precast Concrete Components

### A.2.1 Hollow-core slabs

Length : Multiples of **3M**

Width : **6M**

### A.2.2 Precast prestressed concrete floor planks

Length : Multiples of **1M**

Width : **12M to 24M**

Thickness : 65mm, 80mm, 110mm

### A.2.3 Precast wall panels

Height : **24M to 36M**

Width : **3M, 6M, 12M**

Thickness : 75mm, 80mm, 90mm, 100mm

### A.2.4 Stairs and stair openings

Coordinating dimensions:-

Horizontal and vertical distance between coordinating planes:

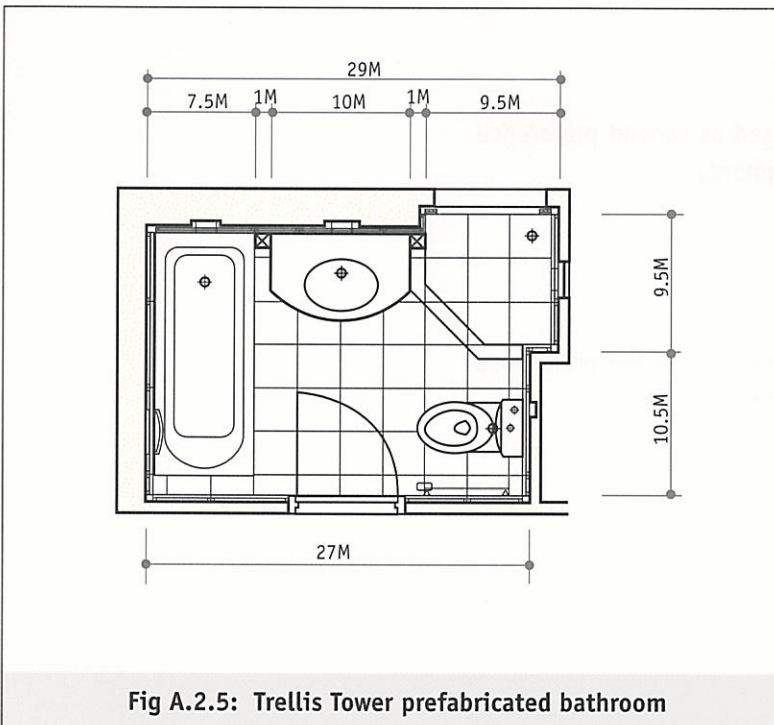
Horizontal : Multiples of **1M**

Vertical : Multiples of **0.5M**

### A.2.5 Precast toilets

Internal coordinating dimensions:-

Length, Breadth and Height: Multiples of **1M** with second preference of **0.5M**



### A.2.6 Precast CD shelter

Width : 12M to 15M in 3M increments

Length : 18M to 24M in 3M increments

Height : 30M to 33M in 3M increments

Thickness of walls are in 0.25M increments

The following table shows the recommended internal dimension for the various sizes of household shelters.

Gross Floor Area (GFA) Of Dwelling Unit	Minimum Internal Clear Floor Area Of HS	Nominal Occupancy Of HS (No. Of Person)	Recommended Internal Dimensions Of HS (W)x(L)x(H)	Thickness Of Wall
$GFA \leq 45m^2$	2.0m <sup>2</sup>	2	1.2 x 1.8 x 3.0	275m
$75m^2 \geq GFA > 45m^2$	2.4m <sup>2</sup>	3	1.2 x 2.1 x 3.0	275m
$140m^2 \geq GFA > 75m^2$	3.2m <sup>2</sup>	4	1.5 x 2.4 x 3.0	275m
$GFA > 140m^2$	4.0m <sup>2</sup>	5	1.5 x 2.4 x 3.0	275m
			1.5 x 2.4 x 3.3	300m

Source: Architecture in Precast Concrete - BCA Buildability Series 1999.

\* size of CD shelter depends on GFA of dwelling unit

## A.3 Rigid Sheet Materials

### A.3.1 Wall Cladding

The preferred coordinating sizes of cladding materials should be as follows, including any combination of them:

Width : 3M to 12M in 3M increments

Height : 12M to 30M in 3M increments

## A.4 Ceiling Related Components

### A.4.1 Panel components

The preferred coordinating sizes are:

<b>3M x 3M</b>	<b>6M x 12M</b>
<b>3M x 6M</b>	<b>12M x 12M</b>
<b>6M x 6M</b>	<b>12M x 24M</b>

### A.4.2 Strip components

The preferred widths are: **1M, 2M, 3M**

## A.5 Flooring Materials

### A.5.1 Tile components

The coordinating dimensions (length x width) in order of preference are:

First	: Multiples of <b>1M</b>
Second	: Multiples of <b>0.5M</b> up to <b>3M</b>
Third	: Multiples of <b>0.25M</b> up to <b>3M</b>